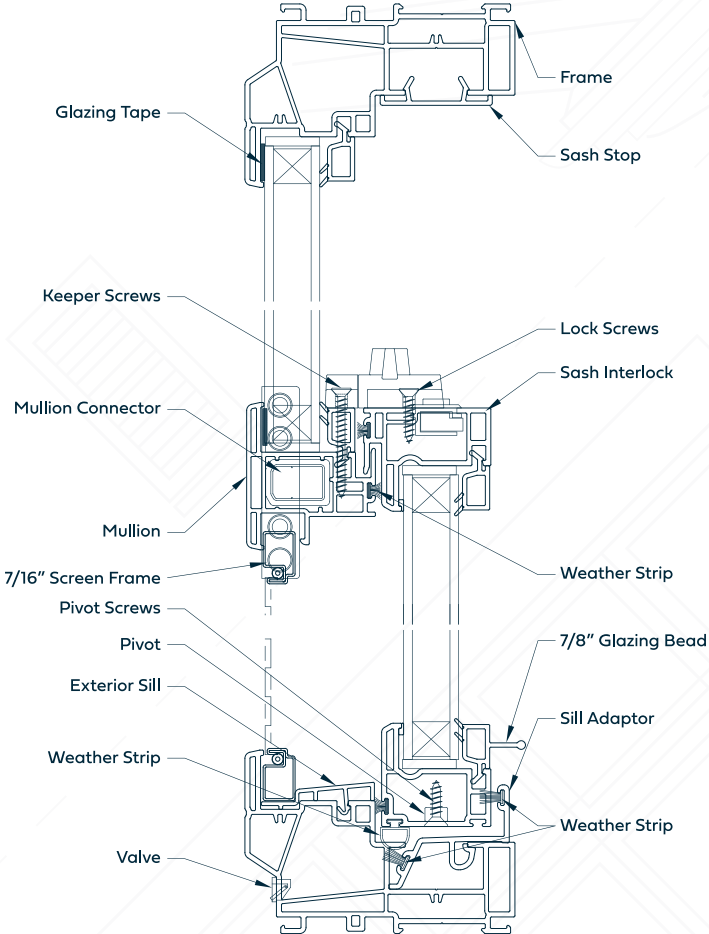




WEATHERGARD II VINYL WINDOWS

LAS WeatherGard II Vinyl Windows are custom built, double-paned glass windows that exceed ENERGY STAR™ rating requirements. They are durable, easy to clean and virtually maintenance-free. To provide the best fit, each WeatherGard II replacement window is custom fabricated at 1/8" from the site measurement openings.



Single Hung Window Shown

HIGH PERFORMANCE ADVANTAGES

- High Performance Cardinal LoE-366 Glass
- 1/8" Double Strength Glass with 7/8" glass spacing on IG Unit
- Argon gas-filled to provide further insulation value
- Triple lined weatherstripping to seal out air flow
- Interlocking sash rails to prevent air infiltration
- Exterior noise reduction provided by 7/8" glass spacing
- TREMCO EnerEDGE Spacer to reduce energy loss from conduction through IG Unit
- Solar Heat Gain Coefficient starting at 0.17 with standard glass

STRENGTH

- Up to DP90 wind rating (tested to 230MPH) depending on style
- Multi-chambered framing system with 3 1/4" jamb depth
- Steel reinforcement in sashes rails
- Cam lock to reduce forced entry
- Constant force coil balance system
- Uses the same framing system as our WeatherGard III Impact Rated Window Series for strength
 - CNC cut, welded, and corner cleaned frame and sashes for exact precision and a consistent aesthetic value
- Extruded aluminum screen rail for additional strength and durability
- Pocket Sill design to obtain higher wind ratings required in southern US



NEW ORLEANS
HOMES
Best of Home
2024 Winner



CUSTOMIZATION

- Style & Size
- Internal & External Grid Patterns
- Standard Colors & Custom Colors available
- Glass Options

INSTALLATION ADVANTAGES

- OSI FOAM for superior insulation
- OSI QUAD MAX Caulk on the interior and exterior of window
- LAS Installers are certified Installation Masters by OSI
- LAS warrants workmanship with a Five-Year Labor Warranty
- LAS carries a Louisiana Building Construction Contractors License No 26250
- LAS carries a Home Improvement Work Contractors License No 551658



Building Construction
& Home Improvement
Certification

YOUR HOME IS WORTH IT.



1-800-264-1527 • LASHome.com • info@lashome.com